

INSTALLATION INSTRUCTIONS

DESCRIPTION: 30L Top Case Bracket

PART NUMBER: B74-F84AB-V0

MODEL: '18~ XMax



⚠ WARNING

Please read and understand these instructions completely before installation to avoid possible injury, or damage to the accessory or vehicle.

NOTICE:

This installation requires a torque wrench and should be performed by an authorized Yamaha dealer or other qualified technician.

WARRANTY INFORMATION:

In the United States, see your authorized Yamaha dealer for a copy of the Yamaha Genuine Parts and Accessories Limited Warranty.

DEALER OR INSTALLER:

These instructions contain important information for future reference and *must* be given to the customer.

COMPONENTS NOT INCLUDED IN THIS KIT:

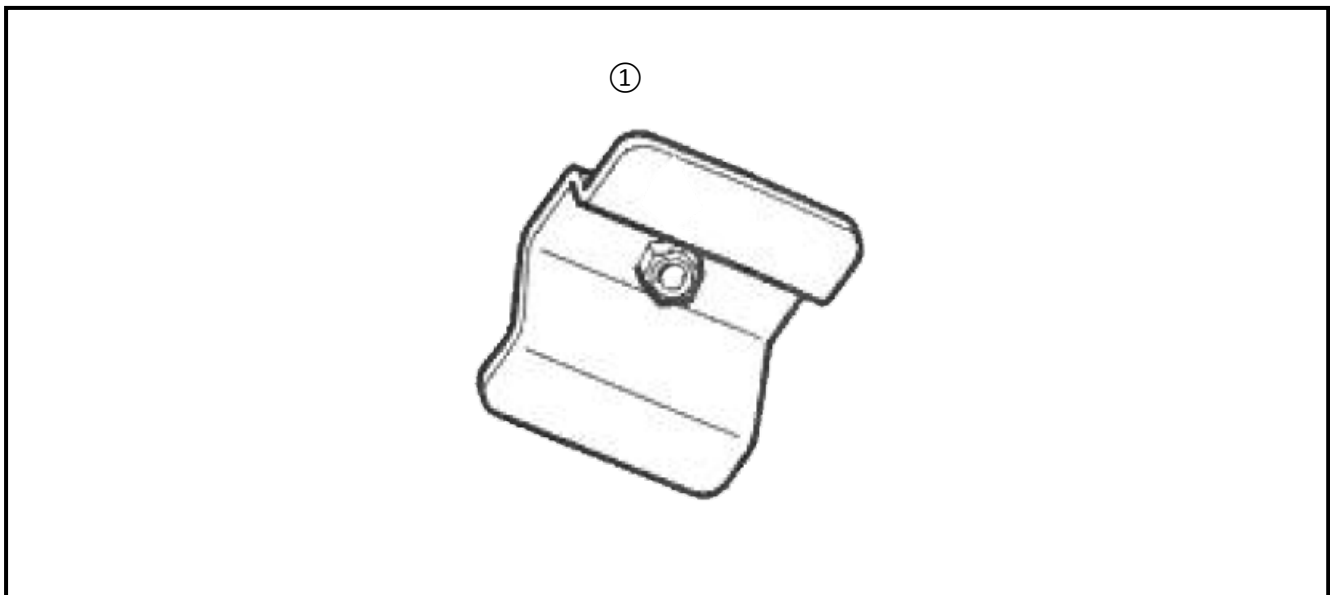
A Rear Rack must be installed in order to install the Mount Plate. Check with your dealer for the correct rack for your model and year.

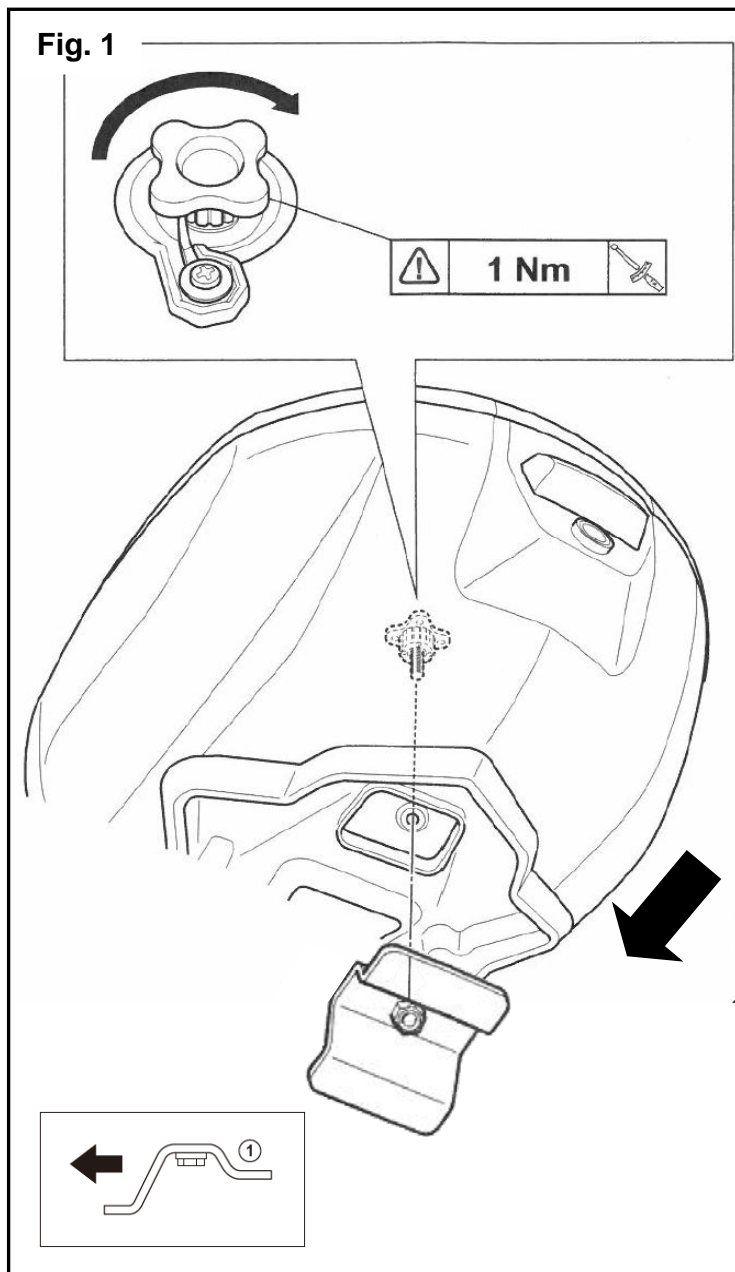
This plate is used with the 30L top case, p/n 1WS-F84A8-V0.

PARTS LIST:

No.	Part Number	Description	Qty
--	B74-F84AB-V0	30L Top Case Bracket	--
①	*	Top Case Bracket	1

* Part supplied with kit only and not available separately.





PREPARATION:

- Stand vehicle on a secure and level surface. Put it on the center stand, if it has one.
- Clean all mounting surfaces before installation.

INSTALLATION:

1. Open the 30L top case (not included) and thread the mount through the base of the Top Case as shown.
2. Position the Top Case Mount Bracket under the rear carrier and thread the top case attachment bolt into the threads in the Top Case Mount Bracket.

Note: Orient the Top Case Mount Bracket so that the narrow end of the bracket points towards the front of the vehicle – as shown in the bottom of Fig. 1.

3. Tighten the top case attachment bolt to 1Nm.

MAINTENANCE:

Periodically, check the top case and ensure it is securely attached. If loose hardware is found, re-torque to specification.

CARE AND CLEANING:

Clean painted metal parts with a clean soft cloth and mild soap and water. Rinse and dry.

CUSTOMER SERVICE:

For further information see your Yamaha dealer.

ESTIMATED TIME TO INSTALL: 0.1 HR